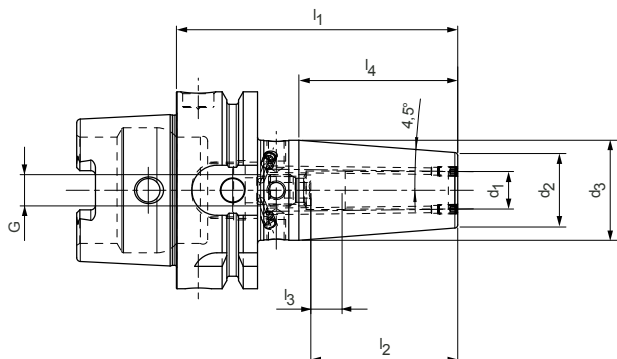


Shrink chuck

With axial tool length adjustment

HSK-A (hollow shank taper form A) shank according to DIN 69893-1



Design with two cooling channel outlets, resealable | Preferred series available from stock

HSK-A	Dimensions							G	Order designation	Order no.
	d ₁	d ₂	d ₃	l ₁	l ₂	l ₃	l ₄			
63	3,0	10,0	15,0	80,0	28,0	16,0	31,77	M6	16.306.63.03.KKB/80	30590796
63*	3,0	10,0	20,0	120,0	12,0	-	63,53	-	16.306.63.03.KKB/120	30590800
63	4,0	15,0	22,0	80,0	28,0	12,0	44,5	M6	16.306.63.04.KKB/80	30590797
63*	4,0	15,0	22,0	120,0	16,0	-	44,5	-	16.306.63.04.KKB/120	30590801
63	5,0	15,0	22,0	80,0	30,0	10,0	44,5	M6	16.306.63.05.KKB/80	30590798
63*	5,0	15,0	22,0	120,0	20,0	-	44,5	-	16.306.63.05.KKB/120	30590802
63	6,0	21,0	27,0	80,0	36,0	10,0	38,1	M5	16.306.63.06.KKB/80	30589885
63	6,0	21,0	27,0	120,0	36,0	10,0	38,1	M5	16.306.63.06.KKB/120	30589886
63	8,0	21,0	27,0	80,0	36,0	10,0	38,1	M6	16.306.63.08.KKB/80	30589886
63	8,0	21,0	27,0	120,0	36,0	10,0	38,1	M6	16.306.63.08.KKB/120	30589899
63	10,0	24,0	32,0	85,0	41,0	10,0	49,0	M8x1	16.306.63.10.KKB/85	30589887
63	10,0	24,0	32,0	120,0	41,0	10,0	49,0	M8x1	16.306.63.10.KKB/120	30589900
63	12,0	24,0	32,0	90,0	47,0	10,0	49,0	M10x1	16.306.63.12.KKB/90	30589888
63	12,0	24,0	32,0	120,0	47,0	10,0	49,0	M10x1	16.306.63.12.KKB/120	30589901
63	14,0	27,0	34,0	90,0	47,0	10,0	44,5	M10x1	16.306.63.14.KKB/90	30589889
63	14,0	27,0	34,0	120,0	47,0	10,0	44,5	M10x1	16.306.63.14.KKB/120	30589902
63	16,0	27,0	34,0	95,0	50,0	10,0	44,5	M12x1	16.306.63.16.KKB/95	30589890
63	16,0	27,0	34,0	120,0	50,0	10,0	44,5	M12x1	16.306.63.16.KKB/120	30589907
63	18,0	33,0	42,0	95,0	50,0	10,0	57,2	M12x1	16.306.63.18.KKB/95	30589891
63	18,0	33,0	42,0	120,0	50,0	10,0	57,2	M12x1	16.306.63.18.KKB/120	30589908
63	20,0	33,0	42,0	100,0	52,0	10,0	57,2	M16x1	16.306.63.20.KKB/100	30589892
63	20,0	33,0	42,0	120,0	52,0	10,0	57,2	M16x1	16.306.63.20.KKB/120	30589909
63	25,0	44,0	52,5	115,0	58,0	10,0	54,0	M16x1	16.306.63.25.KKB/115	30589894
63	25,0	44,0	52,5	120,0	58,0	10,0	54,0	M16x1	16.306.63.25.KKB/120	30589910
63	32,0	44,0	52,5	120,0	62,0	10,0	54,0	M16x1	16.306.63.32.KKB/120	30589895

* Without axial tool length adjustment

Dimensions in mm.

For accessories and spare parts see "Accessories and spare parts" section.

Additional dimensions and special designs available upon request.