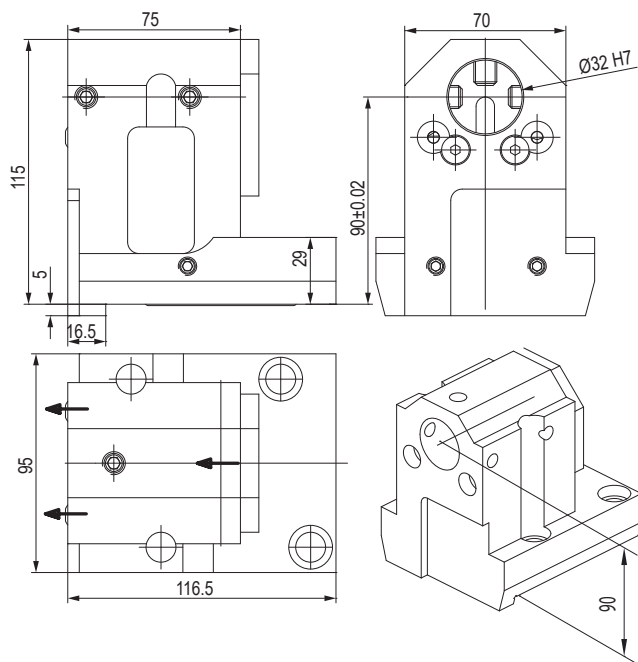
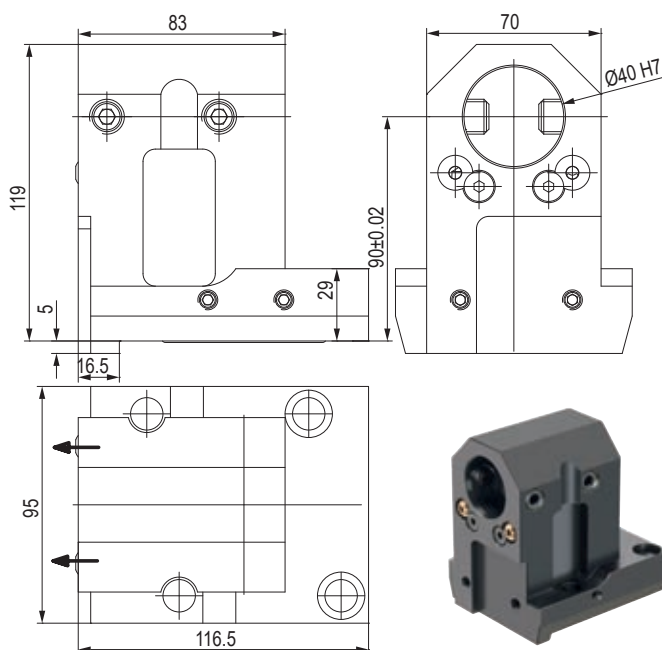


PORTAUTENSILE COMBINATO PER BARENI E PUNTE A INSERTI COMBI TOOLHOLDER FOR BORING BAR AND INSERTDRILL



CODE N.	CLAMPING SCREW1 (M10X25)	CLAMPING SCREW2 (M10X20)	COOLANT BALL	SCREW FOR BALL	O RING	COVER	SCREW FOR COVER
128-21514	811-102039	811-102038	833-001470	811-108018	823-101084	832-003297	811-101016

PORTAUTENSILE PER BARENI TOOLHOLDER FOR BORING BAR



CODE N.	CLAMPING SCREW	COOLANT BALL	SCREW FOR BALL	O RING
128-21515	811-102088	833-001470	811-108018	823-101084