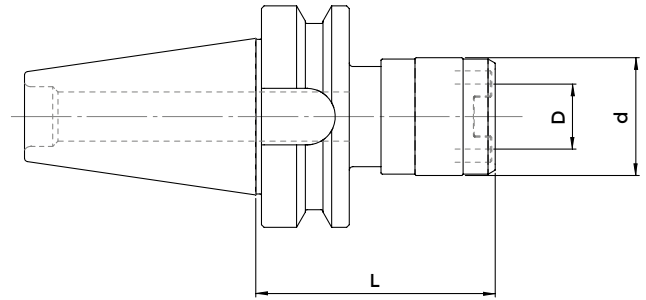


SOLID TAPPING HEADS

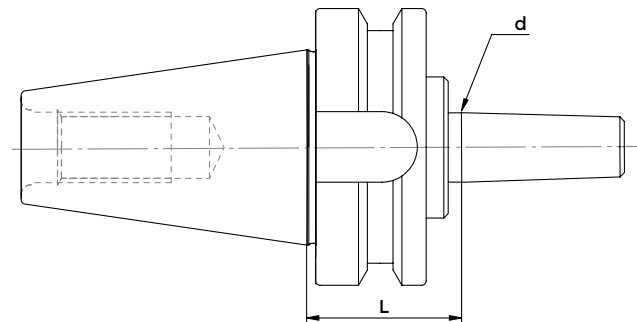


JIS-B 6339 MAS 403/BT A

COD.	DESCRIPTION	ISO	D	d	L	TAP SIZE RANGE
M6010	BT 40 - B. 1 FISSO	40	19	33	67	M 3 ÷ M 12 (* M 18)
M6020	BT 40 - B. 2 FISSO	40	31	50	90	M 6 ÷ M 20 (* M 30)
5711	BT 40 - B. 3 FISSO	40	48	72	117	M 14 ÷ M 33 (* M 48)

* Adapters with screws

DRILL CHUCKS ADAPTERS



JIS-B 6339 MAS 403/BT AD - DIN 238

COD.	DESCRIPTION	ISO	L	d	G6.3 8000
3994	BT 30 - B 16	30	40	15,733	•
3865	BT 40 - B 12	40	40	12,065	•
216-31502	BT 40 - B 16	40	40	15,733	•
3995	BT 40 - B 18	40	40	17,78	•
3996	BT 50 - B 16	50	45	15,733	•
3997	BT 50 - B 18	50	45	17,78	•