

■ Patented protected screw



Applications / Customer Benefits

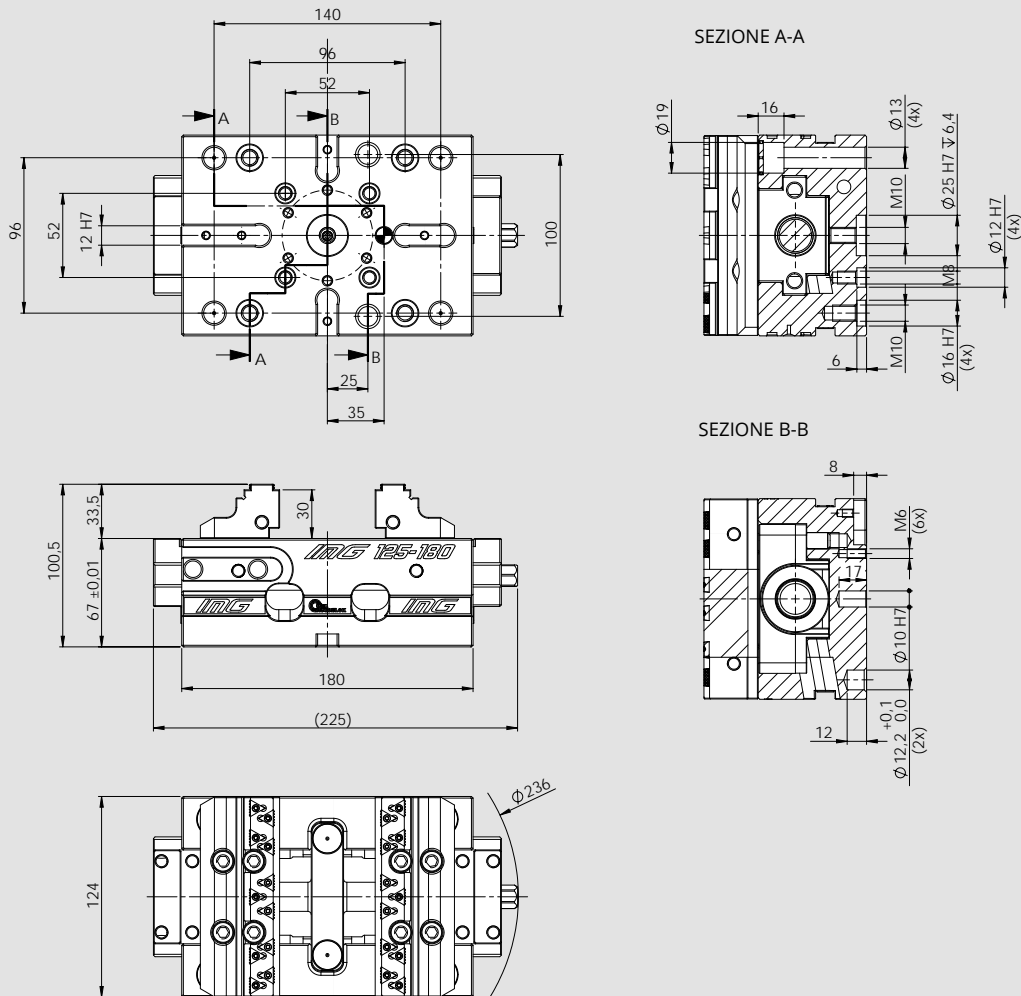
- Highly precise self-centering clamping with maximum repeatability
- Totally protected
- Compact design for better accessibility and very large drainage slots
- Jaws with SinterGrip clamping inserts for minimum workpiece clamping depth without pre-machining
- Type **IMG BASIC** with jaws without SinterGrip inserts
- Wide clamping range
- Ideal for OP 10 and OP 20

Technical features

- Self-centering clamping
- Clamping force up to 40 kN (80 Nm)
- Jaw width 125 mm
- Interface for zero point systems APS / TDM and Lang 52 / 96 mm as standard

Standard equipment

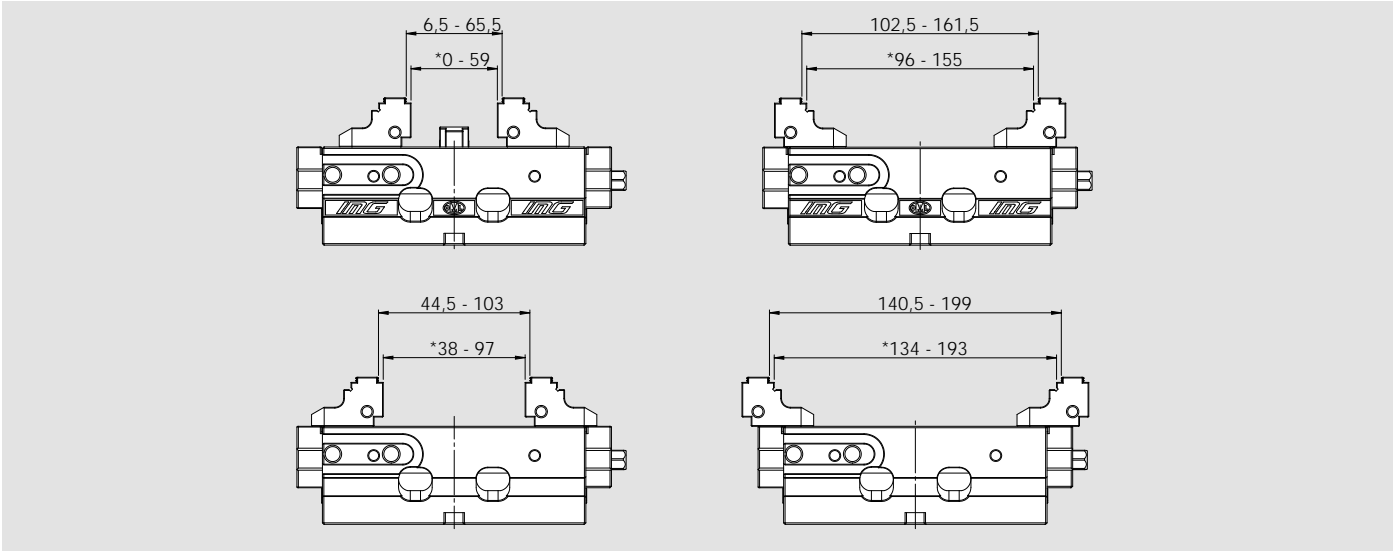
Wrench, jaws, Sintergrip inserts.



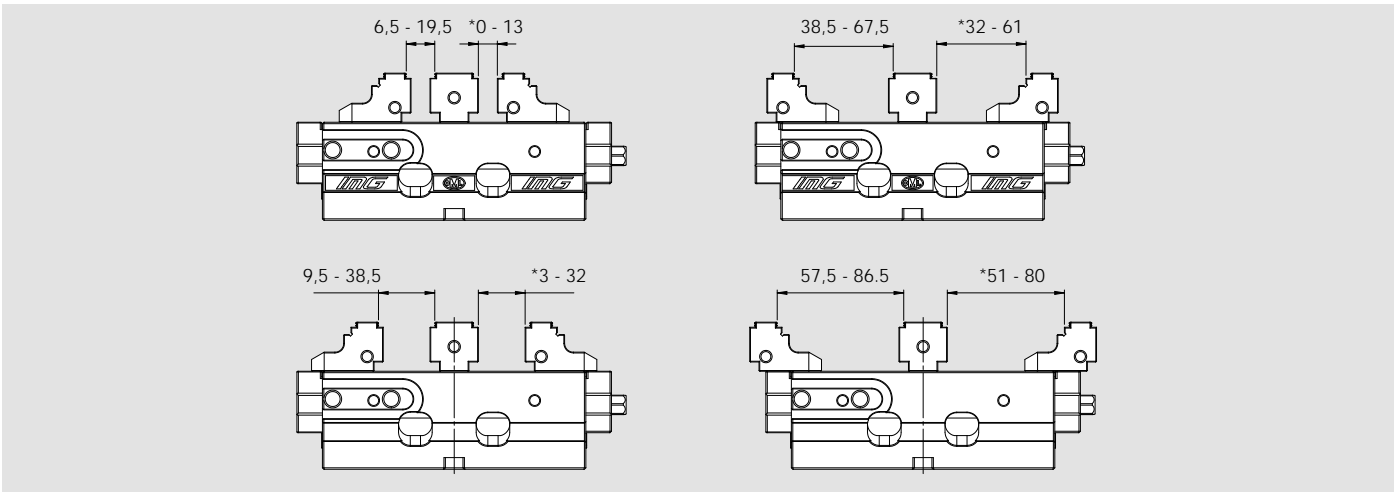
Type	Id. No.	Weight
IMG 125 - 180 with SinterGrip jaws STD	77583531	12 Kg
IMG 125 - 180 with SinterGrip jaws ALU	77583532	12 Kg
IMG 125 - 180 with SinterGrip jaws HRC	77583533	12 Kg
IMG 125 - 180 Basic	77583534	12 Kg
IMG 125 - 180 body only	77583503	10 Kg

■ Patented protected screw

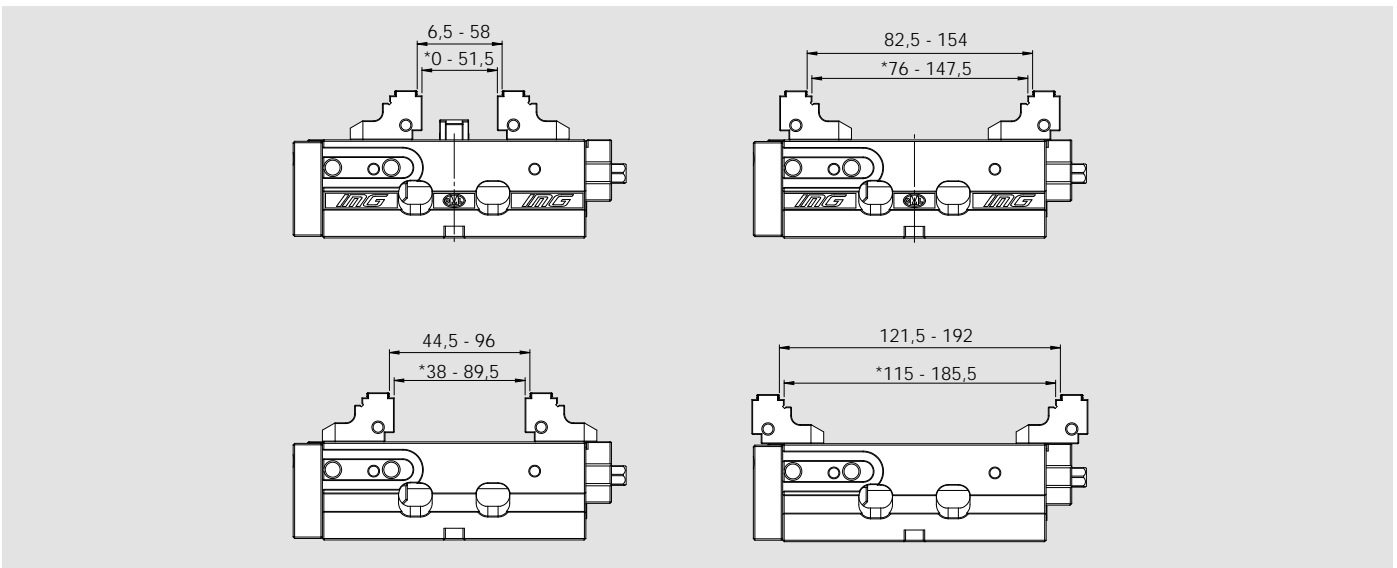
Self-centering



Double Clamping



Fixed



* Opening with smooth jaws

Valid dimensions for both SinterGrip and Basic type